

5H@5G'5I HCA 5H7 F 9J C@ -B; '8CCF



- H.Y'dfYgh][Y'gc'i h]cb'Zcf'h.Y' YbhfUbWV]bhc' UbmVi]X]b[
- H.Y'5H@5G'Vf]b[g'hc[Yh.Yf'U' Vta V]bUh]cb'cZUYgh.Yh]Vg'UbX' fY'UV]]mU'']b'cbY'fYj c'j]b[Xccf
- 9l dcfhYX'k cfXk]XY''

APPLICATIONS

- Gi]hYX'Zcf'Udd']W]h]cbg' fYei]f]b['\][\]c'i a Y'UWYgg' UbX'U'XfUZh'V'cW' VYtk YYb'h.Y']bhYfbU' / 'YI hYfbU' Ybj]fcba Ybhg
- I gYX'YI hYbg]j Y'm]b' Udd']W]h]cbg' gi V'X' Ug'cZ]W' V'cW'gZ'VUb_gZ'i b]j Yfg]h]YgZ' di V']W]i]X]b[g'UbX'\YU'h' Wl Vg''

DESIGNED FOR:

- Installation on the perimeter of a building
- Severe operating conditions

AVAILABLE CONFIGURATIONS

- 3 wing (120°) and 4 wing (90°)
- Standard revolving door operation and access controlled operation

FEATURES

- Ultra heavy-duty automatic revolving door
- Designed by professional engineers
- Steel frame structure and internal supports
- Deep groove sealed bearings providing extra longevity
- Servo motor

BENEFITS

A revolving door will save you money and help preserve the environment. That's because conventional hinged and sliding doors can allow up to 8 times as much airflow as a revolving door. The revolving door creates a draft block between the inside and outside of a building, meaning lower air conditioning and heating costs.

TECHNICAL NOTES

DESIGN	<ul style="list-style-type: none"> • Modular bolt-together design for ease of transport and rapid installation. Components can pass through a standard door. Can be packed in broken-down form either onto a pallet or into a crate for transport. • Free standing structure which can be installed into a new or existing shopfront
POWER REQUIREMENTS	<ul style="list-style-type: none"> • 3 phase + neutral + earth
LIGHTING	<ul style="list-style-type: none"> • 2 low voltage LED downlighters
INSTALLATION NOTES	<ul style="list-style-type: none"> • Fixing surface is to be level • Cannot be installed on an expansion joint • Fixed to an existing floor by means of countersunk anchor bolts

MANUFACTURING OPTIONS

WING OPTIONS	<ul style="list-style-type: none"> • 3 wing configuration (allowing a larger space whilst walking through the door but a smaller entrance into the door) • 4 wing configuration (allowing a larger entrance into the door but a smaller space whilst walking through the door)
ROTATION CONFIGURATION	<ul style="list-style-type: none"> • Standard revolving door operation • Access controlled operation
FINISH OPTIONS	<ul style="list-style-type: none"> • Mild steel with structured UV resistant polyester exterior powder coat finish (white) □ • 304 grade brushed stainless steel • 316 grade brushed stainless steel ▲ <p>□ other colours available on request ▲ suitable for corrosive environments (details available on request)</p>
<p>Custom designs are available on request. Available in a frameless glass design with the motor drive installed below floor level.</p>	



FRAME

- Frame and ceiling of powder coated mild steel or brushed stainless steel
- Stainless steel brackets and structural silicone for the fixing of the curved glass
- Polypropylene brushes in anodized aluminum profile mounted on top, side and bottom of glass wings



WINGS

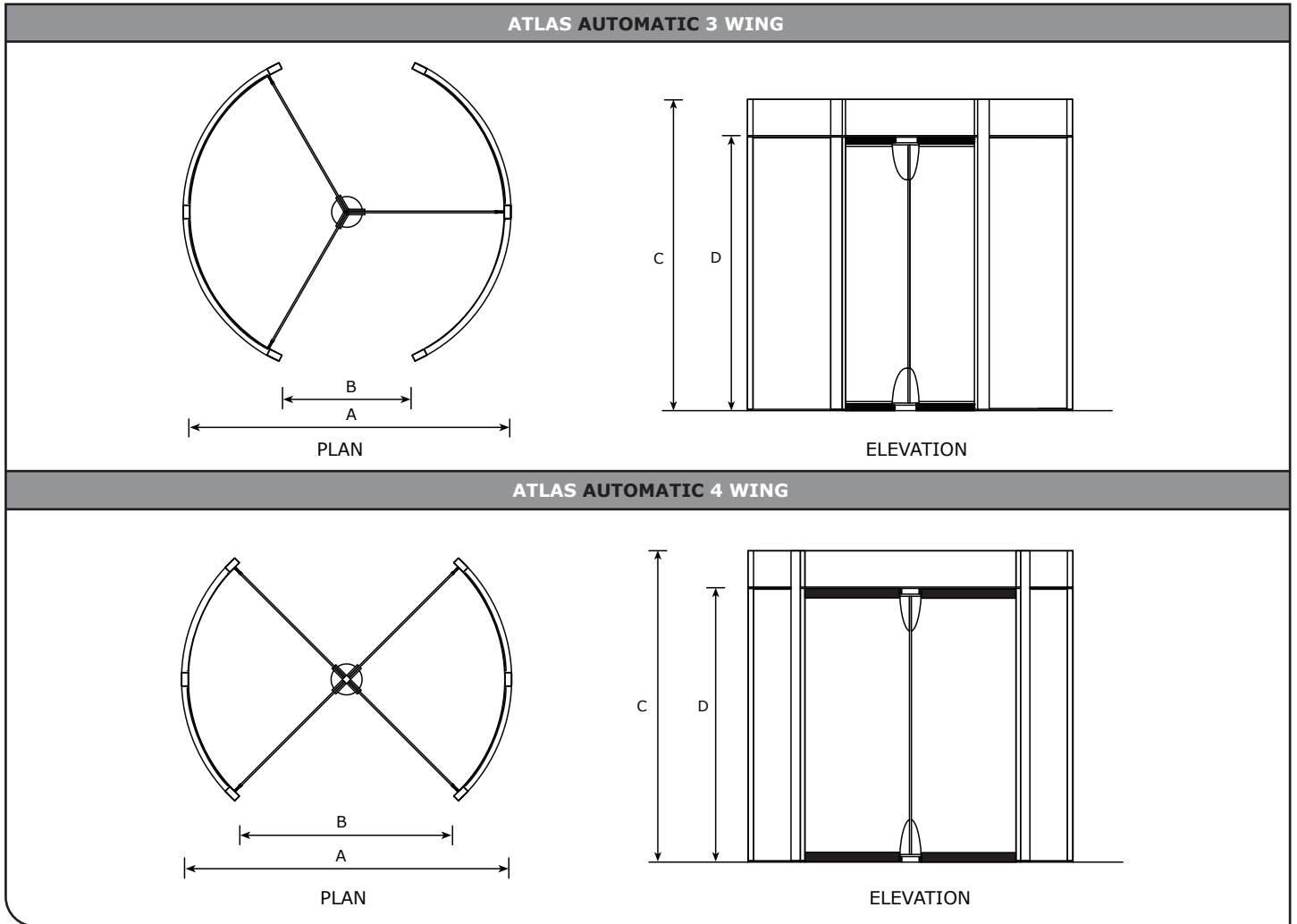
- Stainless steel spider at top and bottom for glass clamping
- Standard glazing of 12mm frameless toughened glass
- Polypropylene brushes in anodized aluminum profile mounted on top, side and bottom of glass wings
- Night lock bolt fitted to one of the glass wings



AUTOMATION

- Heavy duty motor and gearbox in direct drive arrangement – no chains or belts
- Motion detector at both entrances to initiate rotation
- Servo motor operation at low torque – sensitivity thereof allowing easy stopping by hand
- Optical rubber safety edges fitted to entry uprights – allowing instantaneous stopping upon activation to prevent injury

ATLAS AUTOMATIC REVOLVING DOOR



CODE	DESCRIPTION	DIAMETER (A)	ENTRANCE OPENING (B)	HEIGHT (C)	HEADROOM (D)
TSRD3A1.6	ATLAS 1.6m 3 wing automatic revolving door	63" (1600)	25.4" (645)	90.5" (2300)	79.5" (2020)
TSRD4A1.6	ATLAS 1.6m 4 wing automatic revolving door	63" (1600)	39.1" (993)	90.5" (2300)	79.5" (2020)
TSRD3A1.8	ATLAS 1.8m 3 wing automatic revolving door	70.8" (1800)	28.75" (730)	90.5" (2300)	79.5" (2020)
TSRD4A1.8	ATLAS 1.8m 4 wing automatic revolving door	70.8" (1800)	44.5" (1135)	90.5" (2300)	79.5" (2020)
TSRD3A2.1	ATLAS 2.1m 3 wing automatic revolving door	82.6" (2100)	33.8" (860)	90.5" (2300)	79.5" (2020)
TSRD4A2.1	ATLAS 2.1m 4 wing automatic revolving door	82.6" (2100)	53" (1345)	90.5" (2300)	79.5" (2020)
TSRD3A2.4	ATLAS 2.4m 3 wing automatic revolving door	94.5" (2400)	39" (990)	90.5" (2300)	79.5" (2020)
TSRD4A2.4	ATLAS 2.4m 4 wing automatic revolving door	94.5" (2400)	61.2" (1555)	90.5" (2300)	79.5" (2020)
TSRD3A2.7	ATLAS 2.7m 3 wing automatic revolving door	106.3" (2700)	43.9" (1115)	90.5" (2300)	79.5" (2020)
TSRD4A2.7	ATLAS 2.7m 4 wing automatic revolving door	106.3" (2700)	69.5" (1765)	90.5" (2300)	79.5" (2020)
TSRD3A3.0	ATLAS 3.0m 3 wing automatic revolving door	118" (3000)	49.2" (1250)	90.5" (2300)	79.5" (2020)
TSRD4A3.0	ATLAS 3.0m 4 wing automatic revolving door	118" (3000)	78.1" (1985)	90.5" (2300)	79.5" (2020)

Dimensions: Inches (mm)

Due to our policy of continuous improvement, products are subject to change without notice. Available in a frameless glass design with motor drive below floor level. Custom designs are available on request.