

AUTOMATIC SECURITY BOOTH



- With a wide variety of options, the TURNSTAR MAN-TRAP is the perfect solution for controlling access to any building
- Designed and manufactured to provide a durable and aesthetic access control solution
- Both doors operate automatically and have built-in safety
- Exported worldwide

APPLICATIONS

- Suited for applications requiring medium volume access and high levels of security
- Used extensively at entrances to banks, retail stores, colleges, office blocks and commercial buildings

DESIGNED FOR:

- ▽ Interior installations
- ▽ Demanding operating conditions

AVAILABLE CONFIGURATIONS

- Three sizes allowing for varying levels of security and comfort
- Single and double

FEATURES

- Frame of powder coated mild steel (structured finish) or 304 grade brushed stainless steel
- 4.5mm 3Cr12 stainless steel base plate with heavy-duty non-slip rubberizing
- Standard glazing of 6.38mm PVB laminated glass (bullet resistant glass available on request)
- Glass surrounds of anodized aluminum
- Door components (per door)
- Automatic door operator
- Recessed 1 000kg monitored strike pin lock
- Mortise lock for night locking
- 304 grade brushed stainless steel pull handle
- Indicators and Lighting
- LED green & red indicator lights
- Low voltage ceiling down lighter

TECHNICAL SPECIFICATIONS

POWER	220 Volt AC (110 Volt AC on request)
FREQUENCY	50Hz / 60Hz
POWER CONSUMPTION	80W Standby - 110W Operating (Single Man Trap) 160W Standby - 220W Operating (Double Man Trap)
DIMENSIONS AND WEIGHT	See overleaf
DESIGN	Modular bolt-together design for ease of transport and rapid installation. Components can pass through a standard door. Can be packed in broken-down form either onto a pallet or into a crate for transport. All glass is factory fitted into the steel & aluminium frames.
SYSTEMS INTEGRATION	<ul style="list-style-type: none"> Integrates with all access control and time & attendance systems (controlled through a normally open dry contact) Integral wireways – no exposed wires
FIRE ALARM	Doors automatically open and remain open
INSTALLATION REQUIREMENTS	<ul style="list-style-type: none"> Free standing structure which can be installed into a new or existing shopfront Fixing surface is to be level

MANUFACTURING OPTIONS

CONTROLLER OPTIONS	CBL01	Bi-directional two reader locking controller	Complete with	<input checked="" type="checkbox"/> Internal emergency pushbutton	<input type="checkbox"/> Presence sensors
	CBL02	Bi-directional two reader locking controller	Complete with	<input type="checkbox"/> Internal emergency pushbutton	<input checked="" type="checkbox"/> Presence sensors
	CBL03	Bi-directional single reader locking controller	Complete with	<input checked="" type="checkbox"/> Two external cycle start pushbuttons	<input type="checkbox"/> Presence sensors
	CBL04	Bi-directional single reader locking controller	Complete with	<input checked="" type="checkbox"/> Two external cycle start pushbuttons	<input checked="" type="checkbox"/> Presence sensors
	CBL05	Uni-directional bank locking controller			
	CBL07	High security bank locking controller	Complete with	<input checked="" type="checkbox"/> Status control panel	<input checked="" type="checkbox"/> Presence sensors
	DUAL OCCUPANCY	<ul style="list-style-type: none"> Infrared beam dual occupancy presence sensors (optional extra) 			
POWER OPTIONS	<ul style="list-style-type: none"> Battery backup (optional extra) 				
DOOR CLOSER OPTIONS FOR POWER FAILURE OPERATION	<ul style="list-style-type: none"> Normally closed door closer (factory standard) Normally open door closer 				
STRIKE PIN LOCK OPTIONS	<ul style="list-style-type: none"> Fail-Safe (factory standard) Fail-Secure 				
ACCESSORY OPTIONS	<ul style="list-style-type: none"> Card / Proximity reader mounting brackets Biometric / Fingerprint reader mounting brackets Single pushbutton mounted in frame of cubicle or in plastic box Random search device 				
FINISH OPTIONS	<ul style="list-style-type: none"> Mild steel with UV resistant polyester exterior powder coat finish (structured black) ★ 304 grade brushed stainless steel 316 grade brushed stainless steel ★ other structured colours available on request 				



Welded steel frame with aluminium and glass infill

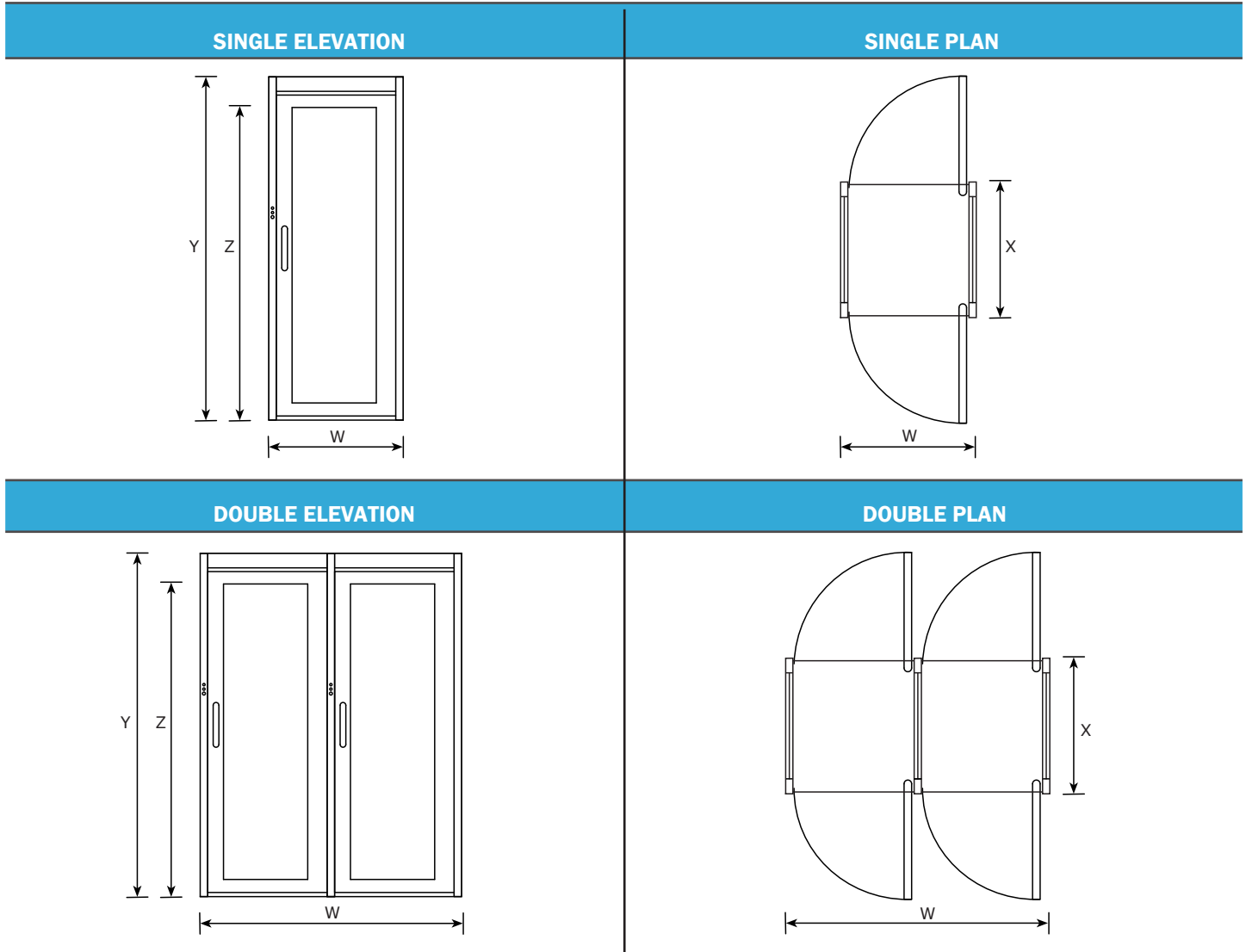


Stainless steel pull handle and mortice lock



LED indicator lights

MODELS



CODE	DESCRIPTION	WIDTH (W)	DEPTH (X)	HEIGHT (Y)	HEADROOM (Z)	WEIGHT (APPROX)
TSAT_SA	Single MAN-TRAP automatic security booth (A)	31.5" (800)	27.5" (700)	90.5" (2300)	82.6" (2100)	617 lb.
TSAT_SB	Single MAN-TRAP automatic security booth (B)	35.4" (900)	35.4" (900)	90.5" (2300)	82.6" (2100)	683.5 lb.
TSAT_SC	Single MAN-TRAP automatic security booth (C)	39.4" (1000)	55.1" (1400)	90.5" (2300)	82.6" (2100)	926 lbs.
TSAT_DA	Double MAN-TRAP automatic security booth (A)	61" (1550)	27.5" (700)	90.5" (2300)	82.6" (2100)	1124 lb.
TSAT_DB	Double MAN-TRAP automatic security booth (B)	68.9" (1750)	35.4" (900)	90.5" (2300)	82.6" (2100)	1212.5 lb.
TSAT_DC	Double MAN-TRAP automatic security booth (C)	76.7" (19500)	55.1" (1400)	90.5" (2300)	82.6" (2100)	1609 lbs.

Dimensions: (Inches (mm))

SPECIFICATION FOR ARCHITECTS AND SPECIFIERS

MAN-TRAP manual security booth (CODE as per above table), of powder coated mild steel (structured black) / 304 grade brushed stainless steel, including CBL 01/2/3/4/5/6/7 controller, fixed to level floor by means of four M12 x 90 counter sunk anchor bolts.

*Due to our policy of continuous improvement, products are subject to change without notice.
 Custom designs are available on request.*