

MANUAL SECURITY BOOTH



- With a wide variety of options, The TURNSTAR MAN-TRAP is the perfect solution for controlling access to any building
- Designed and manufactured to provide a durable and aesthetic access control solution
- Exported worldwide
- For heavy-duty use

APPLICATIONS

- Suited for applications requiring high volume access and high levels of security
- Used extensively at entrances to banks, retail stores, colleges, office blocks and commercial buildings

DESIGNED FOR:

- ▽ Interior installations
- ▽ Demanding operating conditions

AVAILABLE CONFIGURATIONS

- Three sizes allowing for varying levels of security and comfort
- Single and double

Unique features of the MAN-TRAP manual security booth

- Double door security
- Designed for integration with any access control system and for various double door operating configurations

TECHNICAL SPECIFICATIONS

- Direct pivot design ensures true door alignment and removes the need for clumsy, noisy hinges
- Steel frame structure and door, preventing sagging and door warping unlike aluminum doors which warp with use Stainless steel base bearings for longevity and corrosion resistance
- Heavy-duty hydraulic door closers
- Monitored magnetic locks
- Battery backup (optional extra)
- Infrared beam, dual occupancy presence sensors (optional extra)

FEATURES

Construction

- Frame of powder coated mild steel (structured finish) or 304 grade brushed stainless steel
- 430 stainless steel mirror finish ceiling panel
- 11/64" (4.5mm) 3Cr12 stainless steel base plate with heavy-duty rubber as floor covering
- Standard glazing of 1/4" (6.38mm) PVB laminated glass (bullet resistant glass available on request)
- Glass surrounds of anodized aluminum

Door components (per door)

- Heavy-duty hydraulic door closer
- Recessed 1000 lb. monitored magnetic lock
- Mortise lock for night locking
- 304 grade brushed stainless steel pull handle

Indicators and Lighting

- LED green & red indicator lights
- Low voltage ceiling down lighter



Welded steel frame with aluminium and glass infill

Recessed 1000 lb. monitored magnetic lock

Stainless steel pull handle and mortise lock

LED indicator lights

TECHNICAL SPECIFICATIONS

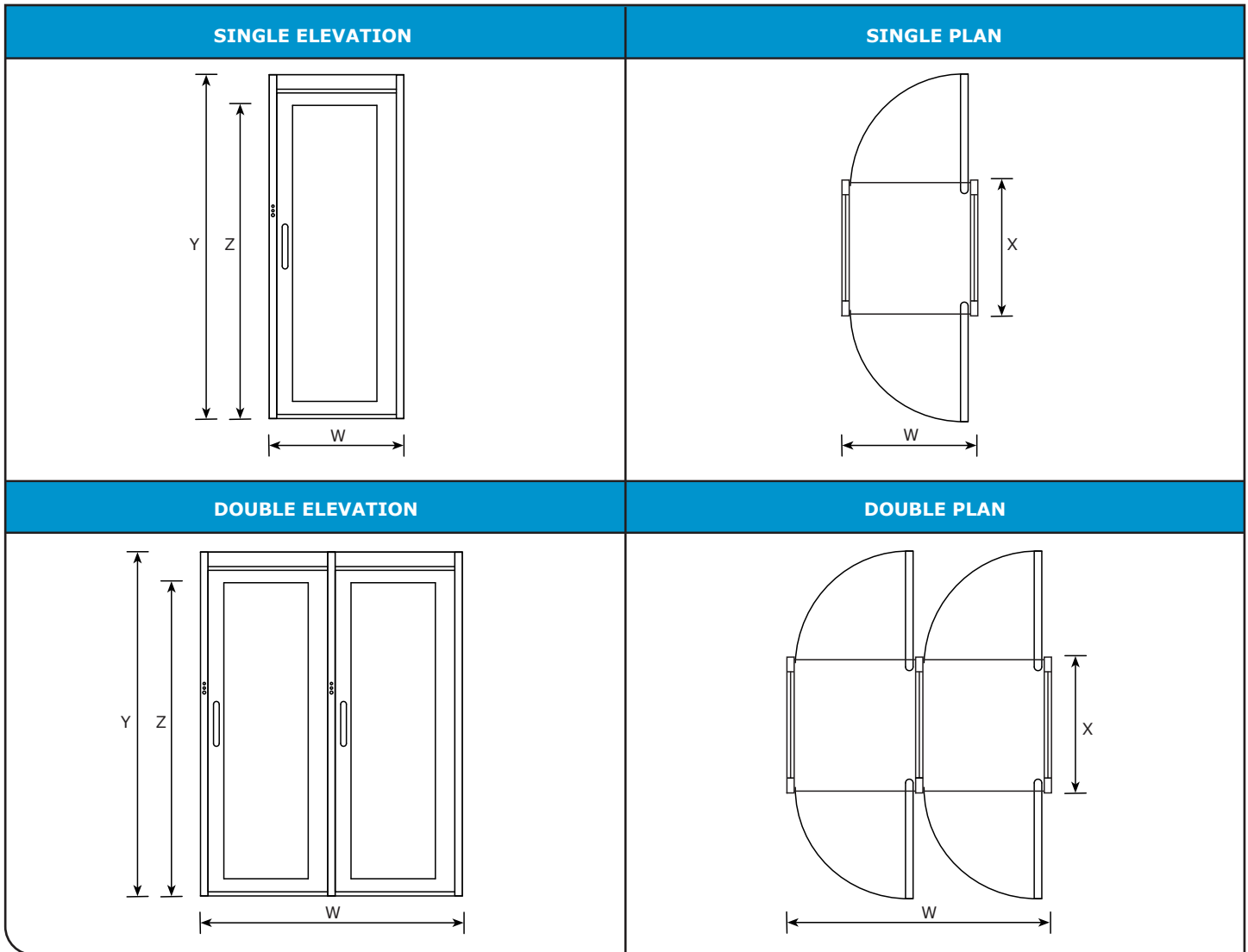
POWER	220 Volt AC (110 Volt AC on request)
FREQUENCY	50Hz / 60Hz
POWER CONSUMPTION	40W (single man-trap) / 80W (double man-trap)
DIMENSIONS AND WEIGHT	See overleaf
DESIGN	Modular bolt-together design for ease of transport and rapid installation. Components can pass through a standard door. Can be packed in broken-down form either onto a pallet or into a crate for transport. All glass is factory fitted into the steel & aluminium frames.
SYSTEMS INTEGRATION	<ul style="list-style-type: none"> Integrates with all access control and time & attendance systems (controlled through a normally open dry contact) Integral wireways – no exposed wires
FIRE ALARM	<ul style="list-style-type: none"> Fail-safe auto-unlock configuration
INSTALLATION REQUIREMENTS	<ul style="list-style-type: none"> Free standing structure which can be installed into a new or existing shopfront Fixing surface is to be level Fixed to existing floor by means of four countersunk anchor bolts (M12 x 90)

MANUFACTURING OPTIONS

CONTROLLER OPTIONS	CBL01	Bi-directional two reader locking controller	Complete with	<input checked="" type="checkbox"/> Internal emergency pushbutton	<input type="checkbox"/> Presence sensors
	CBL02	Bi-directional two reader locking controller	Complete with	<input type="checkbox"/> Internal emergency pushbutton	<input checked="" type="checkbox"/> Presence sensors
	CBL03	Bi-directional single reader locking controller	Complete with	<input checked="" type="checkbox"/> Two external cycle start pushbuttons	<input type="checkbox"/> Presence sensors
	CBL04	Bi-directional single reader locking controller	Complete with	<input checked="" type="checkbox"/> Two external cycle start pushbuttons	<input checked="" type="checkbox"/> Presence sensors
	CBL05	Uni-directional bank locking controller			
	CBL07	High security bank locking controller	Complete with	<input checked="" type="checkbox"/> Status control panel	<input checked="" type="checkbox"/> Presence sensors
	DUAL OCCUPANCY	<ul style="list-style-type: none"> Infrared beam dual occupancy presence sensors (optional extra) 			
POWER OPTIONS	<ul style="list-style-type: none"> Battery backup (optional extra) 				
DOOR CLOSER OPTIONS	<ul style="list-style-type: none"> Non-hold open door closer (factory standard) Hold open door closer 				
ACCESSORY OPTIONS	<ul style="list-style-type: none"> Card / Proximity reader mounting brackets Biometric / Fingerprint reader mounting brackets Single pushbutton mounted in frame of cubicle or in plastic box Random search device 				
FINISH OPTIONS	<ul style="list-style-type: none"> Mild steel with UV resistant polyester exterior powder coat finish (structured black)★ 304 grade brushed stainless steel 316 grade brushed stainless steel ★ other structured colours available on request 				

Automatic door operation is available. See the MAN-TRAP automatic security booth product brochure.

MODELS



CODE	DESCRIPTION	WIDTH (W)	DEPTH (X)	HEIGHT (Y)	HEADROOM (Z)	WEIGHT (APPROX)
TSMT_SA	Single MAN-TRAP manual security booth (A)	31.5" (800)	27.5" (700)	90.5" (2300)	82.6" (2100)	551 lb.
TSMT_SB	Single MAN-TRAP manual security booth (B)	35.4" (900)	35.4" (900)	90.5" (2300)	82.6" (2100)	617 lb.
TSMT_SC	Single MAN-TRAP manual security booth (C)	39.4" (1000)	55.1" (1400)	90.5" (2300)	82.6" (2100)	859.5 lb.
TSMT_DA	Double MAN-TRAP manual security booth (A)	61" (1550)	27.5" (700)	90.5" (2300)	82.6" (2100)	1058 lb.
TSMT_DB	Double MAN-TRAP manual security booth (B)	68.9" (1750)	35.4" (900)	90.5" (2300)	82.6" (2100)	1146.5 lb.
TSMT_DC	Double MAN-TRAP manual security booth (C)	76.7" (1950)	55.1" (1400)	90.5" (2300)	82.6" (2100)	1543 lb.

Dimensions: Inches (mm)

SPECIFICATION FOR ARCHITECTS AND SPECIFIERS

MAN-TRAP manual security booth (CODE as per above table), of powder coated mild steel (structured black) / 304 grade brushed stainless steel, including CBL 01/2/3/4/5/6/7 controller, fixed to level floor by means of four M12 x 90 counter sunk anchor bolts.

*Due to our policy of continuous improvement, products are subject to change without notice.
 Custom designs are available on request.*