

PORTABLE FULL HEIGHT TRIUMPH INDUSTRIAL TURNSTILE



- Perfect solution for any event or construction site
- Forklift channels for ease of movement
- Suitable for applications high volume access and medium levels of security
- Compatible with all access control and ticketing systems

DESIGNED FOR:

- ▽ Interior and exterior installations
- ▽ Severe operating conditions

AVAILABLE CONFIGURATIONS

- 3 arm (120°), 4 arm (90°) and 5 arm (72°)
- Single and Double

FEATURES

- Designed by professional engineers
- Ultra heavy-duty electromechanical rotation locking mechanism
- Bi-directional operation
- Suspended rotor technology – eliminating stress on the base bearing
- Self-centering rotation system – rotor returns to starting position after every rotation
- Shock absorbing rubber coupling system
- Anti-trap safety system - no mid-rotation locking or trapping in the event of a power failure
- Programmable PLC logic with user diagnostic features
- Mechanical key override – clockwise and anticlockwise directions
- Ultra quiet, buffered solenoids and pawls
- Designed for the harshest of conditions
- Zinc plated - 100% corrosion resistant; unaffected by dust, dirt or moisture

TECHNICAL SPECIFICATIONS

POWER	220 Volt AC (110 Volt AC on request)	
FREQUENCY	50Hz / 60Hz	
POWER CONSUMPTION	50W (single turnstile) / 100W (double turnstile)	
SOLENOID VOLTAGE	24 Volt DC (12 Volt DC on request)	
LOGIC VOLTAGE	24 Volt DC	
DIMENSIONS	Single turnstile:	<ul style="list-style-type: none"> • 56.3" (1400mm) wide x 83.66" (2125mm) high • 55.11" (1430mm) wide x 88.58" (2250mm) high - recommended min.
	Double turnstile:	<ul style="list-style-type: none"> • 84.64" (2150mm) wide x 88.58" (2125mm) high • 85.82" (2180mm) wide x 88.58" (2250mm) high - recommended min.
ROTOR DIAMETER	47.24" (1200mm)	
ROTOR ARM CONFIGURATION	<ul style="list-style-type: none"> • 3 arm (120°) • 4 arm (90°) • 5 arm (72°) – ultra secure 	
ROTOR ARMS	1.26" (32mm) diameter U-tube arms spaced 6.5" (165mm) apart	
WEIGHT	Single turnstile (4 arm)	352 lbs. 12 oz. (160kg) WITHOUT THE BASE
	Double turnstile (4 arm)	562 lb 3 oz. (255kg) WITHOUT THE BASE
DESIGN	Modular bolt-together design for ease of transport and installation. Components can pass through a standard door. Can be packed in broken-down form either onto a pallet or into a crate for transport	
SYSTEMS INTEGRATION	<ul style="list-style-type: none"> • Integrates with all access control and time & attendance systems • Unlocking for entry / exit rotation controlled through normally open dry contact • Transaction / Rotation complete output • Integral wireways with draw wires in place – no exposed wires 	

MANUFACTURING OPTIONS

ROTATION OPTIONS	<ul style="list-style-type: none"> • Electrically controlled bi-directional rotation (factory standard) • Mechanically controlled uni-directional rotation by means of key override • Free rotation
LOCKING OPTIONS	<ul style="list-style-type: none"> • Fail-secure auto-lock on power failure (factory standard) • Fail-safe auto-unlock on power failure • Each direction of rotation configurable for either fail-secure or fail-safe operation
FIRE ALARM OPTIONS	<ul style="list-style-type: none"> • Free rotation when triggered indefinitely (logic programmed for either direction of rotation on request)
POWER OPTIONS	<ul style="list-style-type: none"> • Battery backup with two 12 volt 7Ah batteries connected in series • Up to 1000 transactions in fail-secure mode • Up to 60 minutes operation in fail-safe mode
FLAT ROOF CANOPY OPTION	<ul style="list-style-type: none"> • Provides protection from the elements • Anti-climb protection • Low energy light on underside of canopy
SPECIAL PHYSICAL DESIGN OPTIONS	<ul style="list-style-type: none"> • Restrictor tubes for increased security (4 arm turnstile only) • 180° rotation setting for extra walk through space (4 arm turnstile only) • Special narrow single turnstile design of 47.24" (1200mm) wide • Special split cover for low ceilings • Special internal mechanism dust cover for dirty environments • Heavy-duty base for portability (with forklift channels)
ACCESSORY OPTIONS	<ul style="list-style-type: none"> • Card / Proximity reader mounting brackets • Biometric / Fingerprint reader mounting brackets • Single / Double pushbutton in plastic housing • LED red cross & green arrow indicator light • Multiple coin acceptor for pay-for-entry systems • LCD transaction counter with reset key switch • Random search device
FINISH OPTIONS	<ul style="list-style-type: none"> • Mild steel with UV resistant polyester exterior powder coat finish (charcoal blue hammertone) • Mild steel with hot dip galvanised finish • Mild steel hot dip galvanised with UV resistant polyester exterior powder coat finish (charcoal blue hammertone) • 304 grade brushed stainless steel • 316 grade brushed stainless steel suitable for corrosive environments (details available on request) other colours available on request

TURNSTILE QUALITIES

- 1 Rotalok® rotation locking mechanism and electronic control panel
 - Incorporates:
 - Anti-Trap® safety system
 - Suspended Rotor technology
- 2 Lockable top cover
- 3 Mechanical key override
- 4 Shock absorbing rubber coupling
- 5 1.26" (32mm) diameter U-tube arms spaced 6.5" (165mm) apart
- 6 Access control reader mounting position
- 7 LED indicator light mounting position
- 8 Rotarun® perpetual base bearing
- 9 Wiring side entry point
- 10 Wiring bottom entry point
- 11 Floor bolting positions – 7 Off
- 12 Wall bolting positions – 2 Off



MODELS

TRIUMPH 3 SINGLE



TRIUMPH 4 SINGLE



TRIUMPH 5 SINGLE



TRIUMPH 4 DOUBLE



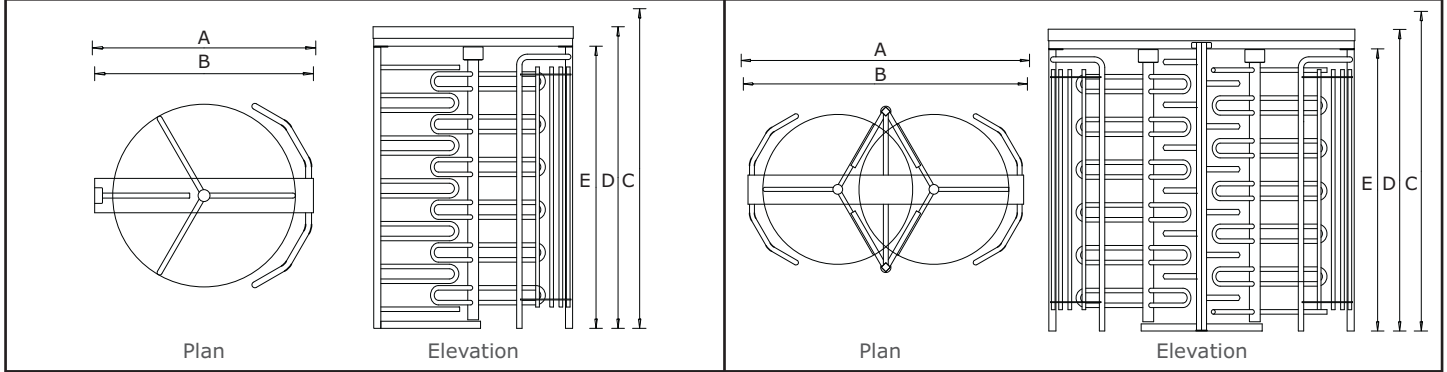
TRIUMPH PORTABLE RANGE



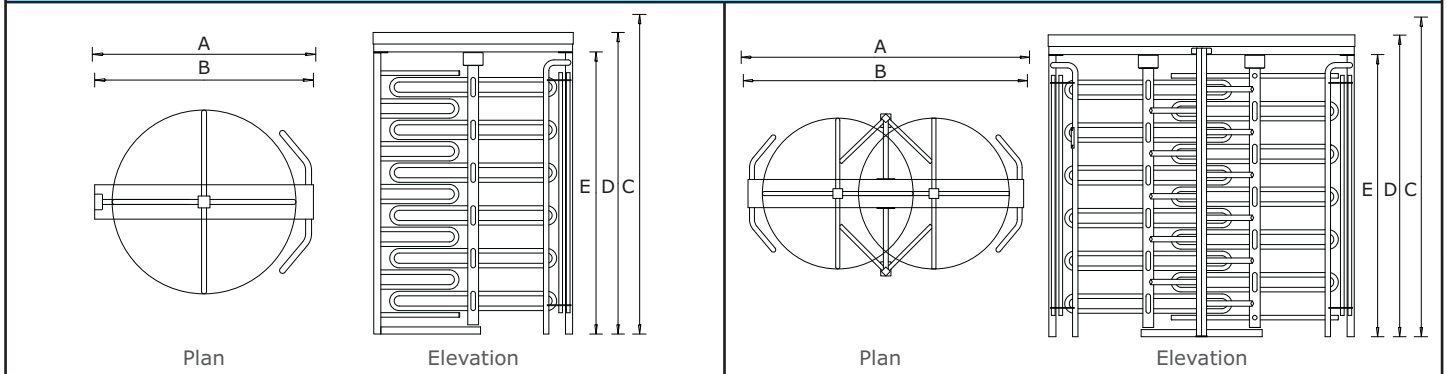
PORTABLE SERIES TURNSTILE DIMENSIONS: Inches (mm)

TRIUMPH SINGLE RANGE			TRIUMPH DOUBLE RANGE		
A	Recommended opening width	56.3" (1430)	A	Recommended opening width	85.82" (2180)
B	Turnstile width	55.11" (1400)	B	Turnstile width	84.64" (2150)
C	Recommended opening height	88.58" (2250)	C	Recommended opening height	88.58" (2250)
D	Turnstile height	83.66" (2125)	D	Turnstile height	88.58" (2125)
E	Headroom	78.18" (1986)	E	Headroom	78.18" (1986)

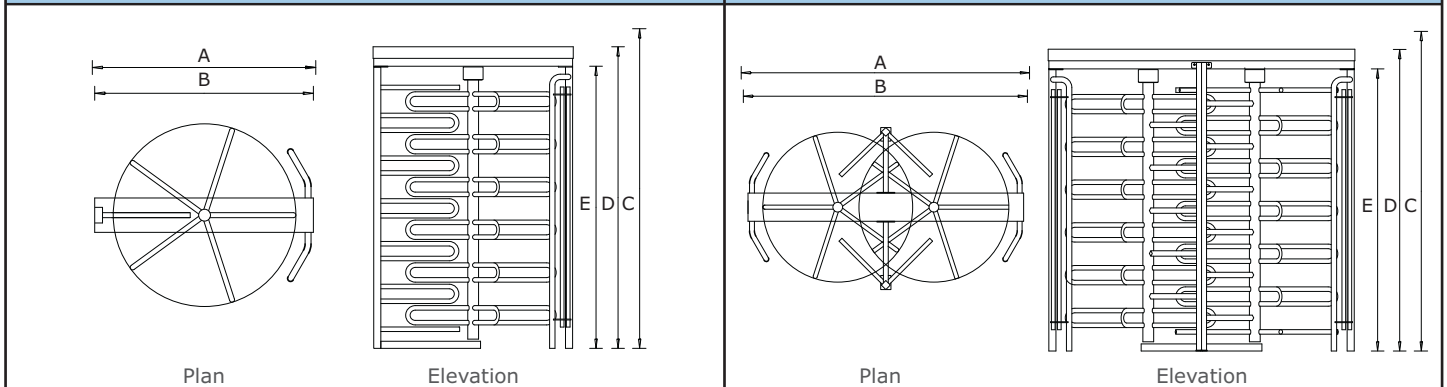
TRIUMPH 3 SINGLE		TRIUMPH 3 DOUBLE	
------------------	--	------------------	--



TRIUMPH 4 SINGLE		TRIUMPH 4 DOUBLE	
------------------	--	------------------	--



TRIUMPH 5 SINGLE		TRIUMPH 5 DOUBLE	
------------------	--	------------------	--



Due to our policy of continuous improvement, products are subject to change without notice.
 Custom designs available on request.