

STREAMLINE WAIST HEIGHT SINGLE TURNSTILE



- With a wide range of applications, The STREAMLINE is the biggest selling waist height turnstile in Africa
- The STREAMLINE is suitable for both prestige and industrial installations
- Designed for high speed ultra quiet operation
- Exported worldwide

APPLICATIONS

- Suited for applications requiring high volume access and medium levels of security
- Used extensively in applications such as office reception areas, health clubs, colleges, libraries, leisure parks and stadiums

DESIGNED FOR

- Interior and exterior installations
- Severe operating conditions

AVAILABLE CONFIGURATIONS

- STREAMLINE Single

TECHNICAL SPECIFICATIONS

POWER	220 Volt AC (110 Volt AC on request)
FREQUENCY	50Hz / 60Hz
POWER CONSUMPTION	50W (single turnstile)
SOLENOID VOLTAGE	24 Volt DC (12 Volt DC on request)
LOGIC VOLTAGE	24 Volt DC
DIMENSIONS	See overleaf
ROTOR ARMS	38mm diameter stainless steel fixed tube arms
WEIGHT	STREAMLINE Single 82kg
DESIGN	Modular bolt-together design for ease of transport and installation. Components can pass through a standard door. Can be packed in broken-down form either onto a pallet or into a crate for transport
SYSTEMS INTEGRATION	<ul style="list-style-type: none"> Integrates with all access control and time & attendance systems Unlocking for entry / exit rotation controlled through normally open dry contact Transaction / Rotation complete output Integral wireways with draw wires in place – no exposed wires

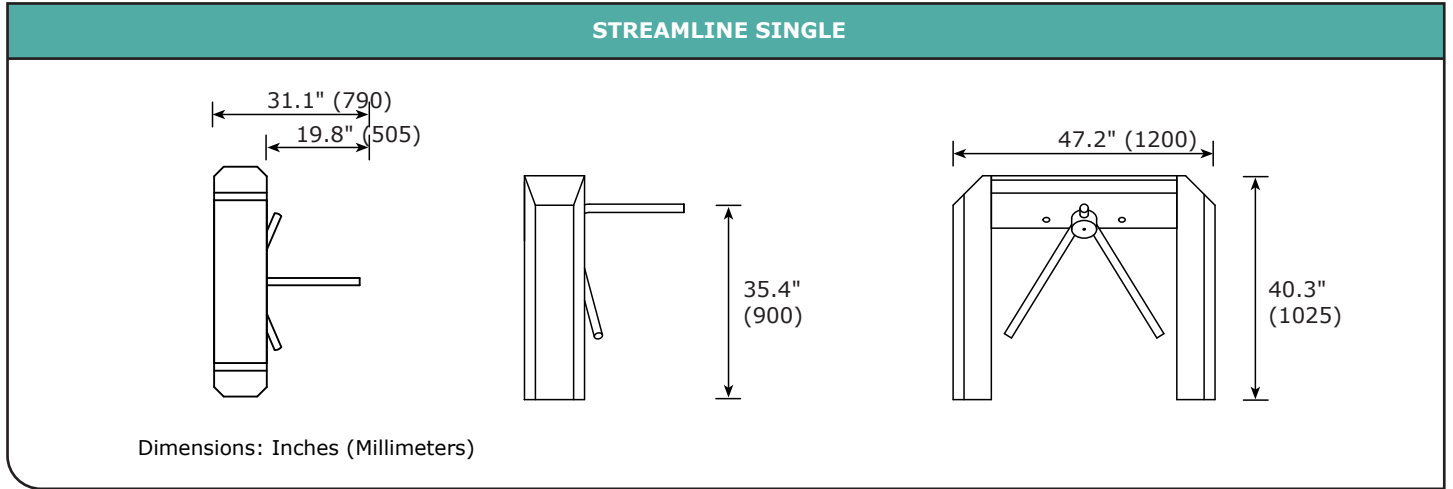
MANUFACTURING OPTIONS

ROTATION OPTIONS	<ul style="list-style-type: none"> Electrically controlled bi-directional rotation (factory standard) Mechanically controlled uni-directional rotation by means of key override Free rotation
LOCKING OPTIONS	<ul style="list-style-type: none"> Fail-secure auto-lock on power failure (factory standard) Fail-safe auto-unlock on power failure Each direction of rotation configurable for either fail-secure or fail-safe operation
FIRE ALARM OPTIONS	<ul style="list-style-type: none"> Free rotation when triggered indefinitely (logic programmed for either direction of rotation on request)
POWER OPTIONS	<ul style="list-style-type: none"> Battery backup with two 12 volt 7Ah batteries connected in series <ul style="list-style-type: none"> Up to 1 000 transactions in fail-secure mode Up to 60 minutes operation in fail-safe mode
ACCESSORY OPTIONS	<ul style="list-style-type: none"> 600mm stainless steel and glass turnstile screen Single / Double pushbutton in plastic housing LED red cross & green arrow indicator light Multiple coin acceptor for pay-for-entry systems LCD transaction counter with reset key switch Random search device
CABINET FINISH OPTIONS	<ul style="list-style-type: none"> Mild steel with UV resistant polyester exterior powder coat finish (charcoal blue hammertone) <input type="checkbox"/> 304 grade brushed stainless steel 316 grade brushed stainless steel <input type="checkbox"/> <p><input type="checkbox"/> suitable for corrosive environments (details available on request)</p> <p><input type="checkbox"/> other colours available on request</p>
TOP COVER OPTIONS	<ul style="list-style-type: none"> Rustenburg granite top cover Stainless steel top cover

INSTALLATIONS



STREAMLINE WAIST HEIGHT SINGLE TURNSTILE



QUALITIES

