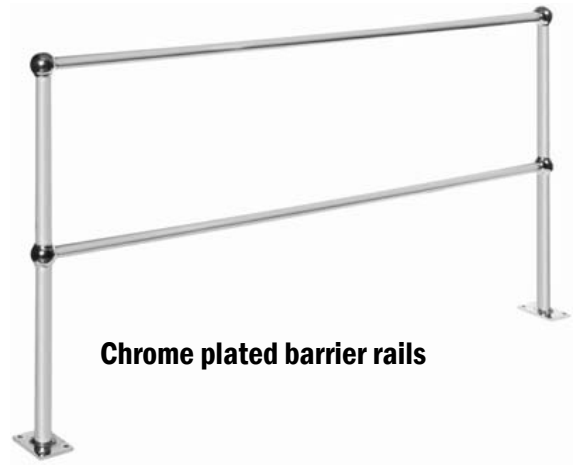


SUPERMARKET WAIST HEIGHT UNI-DIRECTIONAL



**Supermarket turnstile
with turnstile screen**



Chrome plated barrier rails



APPLICATIONS

- Suited for applications requiring one way free rotating access
- Used extensively in supermarkets and retail stores

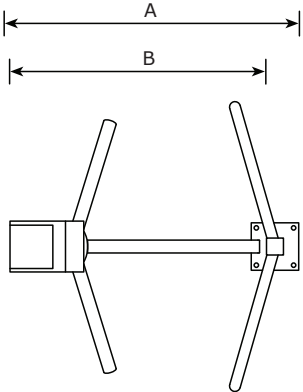
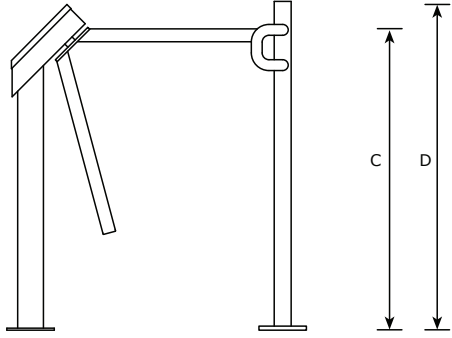
DESIGNED FOR

- Interior installations

AVAILABLE CONFIGURATIONS

- Single
Clockwise and counter-clockwise rotation

SUPERMARKET TURNSTILE Dimensions: Inches (Millimeters)

A	Required opening width	34.2" (870)	C	Turnstile arm height	35.4" (900)
B	Turnstile width	30.5" (775)	D	Overall height	37.8" (960)
PLAN			ELEVATION		
					

UNIQUE FEATURES

- One way free rotating access. The SUPERMARKET turnstile is a purely mechanical turnstile and is designed for free rotation either in a clockwise or anti-clockwise direction. The SUPERMARKET turnstile is not supplied with a locking mechanism or any electronics.
- Stainless steel tripod arms

MANUFACTURING OPTIONS

TURNSTILE SCREEN	SUPERMARKET turnstile screen designed to prevent the pedestrian from passing through the turnstile from the wrong way. Available in matching finish to the turnstile.
FINISH OPTIONS FOR THE TURNSTILE PEDESTAL AND SCREEN	<ul style="list-style-type: none"> • Mild steel with UV resistant polyester exterior powder coat finish (white) <input type="checkbox"/> • 304 grade brushed stainless steel • 316 grade brushed stainless steel <input type="checkbox"/> other colours available on request

ADDITIONS

BARRIER RAIL OPTION	59" (1500mm) long x 35.4" (900mm) high chrome plated barrier rails <ul style="list-style-type: none"> • Made-to-fit barrier rails in matching finish to the turnstile
SECURITY GATE OPTION	<ul style="list-style-type: none"> • Made-to-fit waist height security gate in matching finish to turnstile
TROLLEY ARCH OPTION	<ul style="list-style-type: none"> • Made-to-fit trolley arch in matching finish to the turnstile for supermarket applications

SPECIFICATION FOR ARCHITECTS AND SPECIFIERS

SUPERMARKET WAIST HEIGHT UNI-DIRECTIONAL TURNSTILE complete with SUPERMARKET TURNSTILE SCREEN, in finish (as per above options).

Due to our policy of continuous improvement, products are subject to change without notice. Custom designs are available on request.