

## TITAN THREE QUARTER HEIGHT INDUSTRIAL TURNSTILE



- The TITAN Three Quarter Height is a medium security, aesthetic choice for your entrance
- Designed for high speed, ultra quiet operation
- Exported worldwide

### APPLICATIONS

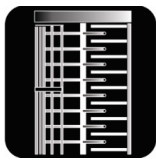
- Suited for applications requiring high volume access and medium levels of security
- Used extensively in applications such as mines, factories, warehouses, universities and stadiums

### DESIGNED FOR

- Interior and exterior installations
- Severe operating conditions

### AVAILABLE CONFIGURATIONS

- 3 arm (120°) and 4 arm (180°)
- Single and Double

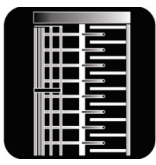


## TECHNICAL SPECIFICATIONS

<b>POWER</b>	220 Volt AC (110 Volt AC on request)	
<b>FREQUENCY</b>	50Hz / 60Hz	
<b>POWER CONSUMPTION</b>	50W (single turnstile) / 100W (double turnstile)	
<b>SOLENOID VOLTAGE</b>	24 Volt DC (12 Volt DC on request)	
<b>LOGIC VOLTAGE</b>	24 Volt DC	
<b>DIMENSIONS</b>	Single turnstile:	• 1 335mm wide x 1 400mm long x 1 570mm high
	Double turnstile:	• 1 950mm wide x 1 400mm long x 1 570mm high
<b>ROTOR DIAMETER</b>	1 200mm	
<b>ROTOR ARM CONFIGURATION</b>	<ul style="list-style-type: none"> <li>• 3 arm (120°)</li> <li>• 4 arm (90°)</li> </ul>	
<b>ROTOR ARMS</b>	50mm diameter tube arms	
<b>WEIGHT</b>	Single turnstile (4 arm)	145kg
	Double turnstile (4 arm)	230kg
<b>DESIGN</b>	Modular bolt-together design for ease of transport and installation. Components can pass through a standard door. Can be packed in broken-down form either onto a pallet or into a crate for transport	
<b>SYSTEMS INTEGRATION</b>	<ul style="list-style-type: none"> <li>• Integrates with all access control and time &amp; attendance systems</li> <li>• Unlocking for entry / exit rotation controlled through normally open dry contact</li> <li>• Transaction / Rotation complete output</li> <li>• Integral wireways with draw wires in place – no exposed wires</li> </ul>	

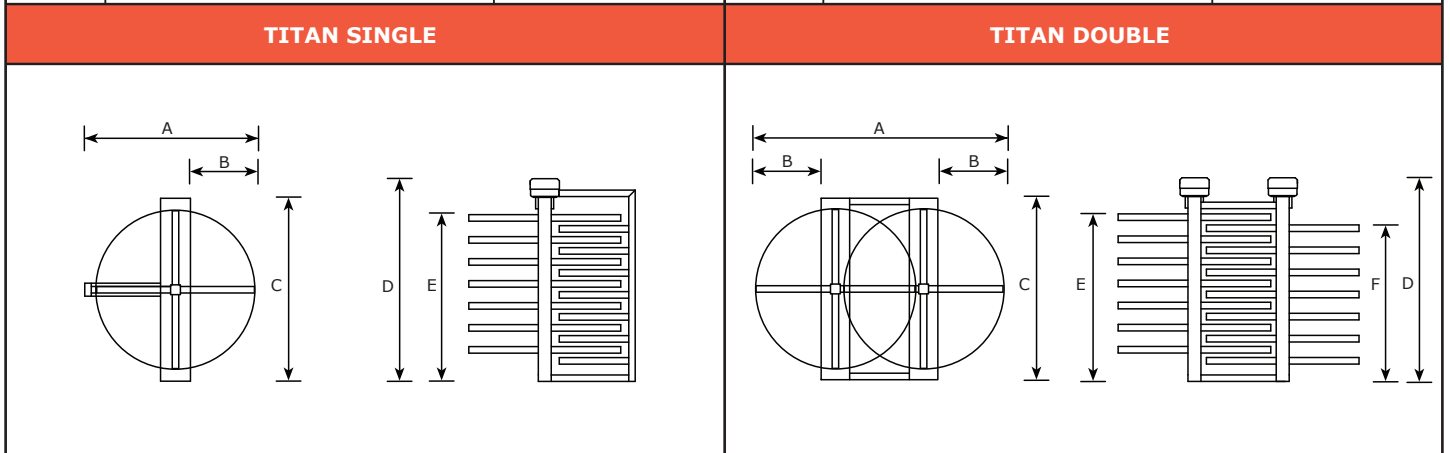
## MANUFACTURING OPTIONS

<b>ROTATION OPTIONS</b>	<ul style="list-style-type: none"> <li>• Electrically controlled bi-directional rotation (factory standard)</li> <li>• Mechanically controlled uni-directional rotation by means of key override</li> <li>• Free rotation</li> </ul>
<b>LOCKING OPTIONS</b>	<ul style="list-style-type: none"> <li>• Fail-secure auto-lock on power failure (factory standard)</li> <li>• Fail-safe auto-unlock on power failure</li> <li>• Each direction of rotation configurable for either fail-secure or fail-safe operation</li> </ul>
<b>FIRE ALARM OPTIONS</b>	<ul style="list-style-type: none"> <li>• Free rotation when triggered indefinitely (logic programmed for either direction of rotation on request)</li> </ul>
<b>POWER OPTIONS</b>	<ul style="list-style-type: none"> <li>• Battery backup with two 12 volt 7Ah batteries connected in series <ul style="list-style-type: none"> <li>o Up to 1 000 transactions in fail-secure mode</li> <li>o Up to 60 minutes operation in fail-safe mode</li> </ul> </li> </ul>
<b>ACCESSORY OPTIONS</b>	<ul style="list-style-type: none"> <li>• Turnstile screen (in matching finish)</li> <li>• Card / Proximity reader mounting brackets</li> <li>• Biometric / Fingerprint reader mounting brackets</li> <li>• Single / Double pushbutton in plastic housing</li> <li>• LED red cross &amp; green arrow indicator light</li> <li>• Multiple coin acceptor for pay-for-entry systems</li> <li>• LCD transaction counter with reset key switch</li> <li>• Random search device</li> </ul>
<b>FINISH OPTIONS</b>	<ul style="list-style-type: none"> <li>• Mild steel with UV resistant polyester exterior powder coat finish (charcoal blue hammertone) ■</li> <li>• Mild steel with hot dip galvanised finish ○</li> <li>• Mild steel hot dip galvanised with UV resistant polyester exterior powder coat finish (charcoal blue hammertone) ○ ■</li> <li>• 304 grade brushed stainless steel</li> <li>• 316 grade brushed stainless steel ○</li> </ul> <p>○ suitable for corrosive environments (details available on request)  ■ other colours available on request</p>



## TITAN RANGE

TITAN SINGLE RANGE			TITAN DOUBLE RANGE		
A	Turnstile width	52.5" (1335mm)	A	Turnstile width	76.75" (1950mm)
B	Walkthrough width	20.6" (525mm)	B	Walkthrough width	20.6" (525mm)
C	Turnstile length	55.1" (1400mm)	C	Turnstile length	55.1" (1400mm)
D	Overall height	61.825" (1570mm)	D	Overall height	61.825" (1570mm)
E	Arm height (1)	50.75" (1290mm)	E	Arm height (1)	50.75" (1290mm)
F	Arm height (2)	N/A	F	Arm height (2)	40.4" (1205mm)



**Note: The turnstile screen shown below is an optional extra.**  
**Due to our policy of continuous improvement, products are subject to change without notice.**  
**Custom designs available on request**

## QUALITIES

- Rotalok® rotation locking mechanism and electronic control panel
  - Incorporates:
    - Anti-Trap® safety system
    - Suspended Rotor technology
- Lockable top cover
- Mechanical key override
- Shock absorbing rubber coupling
- 50mm diameter tube arms
- Access control reader mounting position
- Rotarun® perpetual base bearing
- Wiring entry point
- Optional turnstile screen

