

## TRITON FULL HEIGHT Curved Glass Turnstile



The TRITON full height series is designed to be a high security and aesthetic access control solution.

### APPLICATIONS

- Suited for applications requiring high volume access and high levels of security
- Used extensively in applications such as office receptions, commercial buildings and universities.

### DESIGNED FOR:

- Interior Installation
- Harsh operating conditions

### AVAILABLE CONFIGURATIONS

- 3 wing (120°)
- Single

- FEATURES**
- Zinc plated for corrosion resistance
  - Ultra quiet, buffered solenoids and pawls
  - Solenoids rated for 100% duty cycle
  - Cased hardened locking disk and pawls eliminate any wear
  - Factory settings need no further adjustment
  - No routine maintenance ever
  - Ultra heavy-duty electromechanical rotation locking mechanism
  - Bi-directional operation

## TECHNICAL SPECIFICATIONS

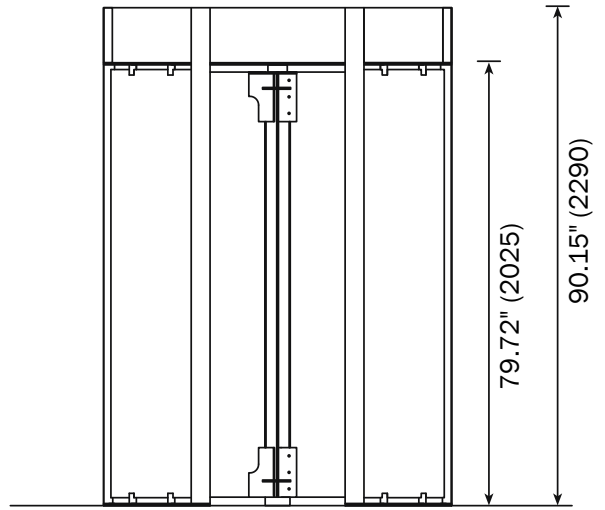
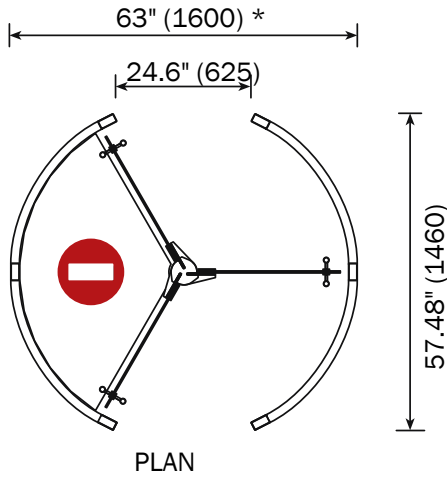
	220 Volt AC (110 Volt AC on request)
	50Hz / 60Hz
<b>POWER CONSUMPTION</b>	50W (single turnstile)
<b>SOLENOID VOLTAGE</b>	24 Volt DC (12 Volt DC on request)
	24 Volt DC
	Single turnstile   63" (1400) wide x 90.15" (2290) high
<b>ROTOR DIAMETER</b>	55.11" (1400mm)
<b>ROTOR WING CONFIGURATION</b>	3 wing (120°)
<b>FORM</b>	Curved
<b>ROTOR GLASS WINGS</b>	8mm toughened glass
<b>FRAME GLASS INFILL</b>	6mm toughened curved glass
<b>PUSH HANDLES</b>	Stainless steel
<b>LIGHTING</b>	4 low-voltage downlighters
<b>PRESSURE MAT DESIGN</b>	Combination of steel plates and foam covered by carpet indicating not entry
<b>SYSTEMS INTEGRATION</b>	<p>Modular bolt-together design for ease of transport and installation. Components can pass through a standard door. Can be packed in broken-down form either onto a pallet or into a crate for transport</p> <ul style="list-style-type: none"> <li>• Integrates with all access control and time &amp; attendance systems</li> <li>• Unlocking for entry / exit rotation controlled through normally open dry contact</li> <li>• Transaction / Rotation complete output</li> <li>• Integral wireways with draw wires in place – no exposed wires</li> </ul>

## MANUFACTURING OPTIONS

<b>ROTATION OPTIONS</b>	<ul style="list-style-type: none"> <li>• Electrically controlled bi-directional rotation (factory standard)</li> <li>• Mechanically controlled uni-directional rotation by means of key override</li> <li>• Free rotation</li> </ul>
<b>LOCKING OPTIONS</b>	<ul style="list-style-type: none"> <li>• Fail-secure auto-lock on power failure (factory standard)</li> <li>• Fail-safe auto-unlock on power failure</li> <li>• Each direction of rotation configurable for either fail-secure or fail-safe operation</li> </ul>
<b>FIRE ALARM OPTIONS</b>	<ul style="list-style-type: none"> <li>• Free rotation when triggered indefinitely (logic programmed for either direction of rotation on request)</li> </ul>
<b>POWER OPTIONS</b>	<ul style="list-style-type: none"> <li>• Battery backup with two 12 volt 7Ah batteries connected in series <ul style="list-style-type: none"> <li>o Up to 1 000 transactions in fail-secure mode</li> <li>o Up to 60 minutes operation in fail-safe mode</li> </ul> </li> </ul>
<b>ACCESSORY OPTIONS</b>	<ul style="list-style-type: none"> <li>• Card / Proximity reader mounting brackets</li> <li>• Biometric / Fingerprint reader mounting brackets</li> <li>• Single / Double pushbutton in plastic housing</li> <li>• LED red cross and green arrow indicator light</li> </ul>
<b>PRESSURE MAT ACCESSORY OPTIONS</b>	<ul style="list-style-type: none"> <li>• Single pushbutton in plastic housing</li> <li>• Single button remote control and remote control transmitter and receiver</li> </ul>
<b>FRAME FINISH OPTIONS</b>	<ul style="list-style-type: none"> <li>• Mild steel with UV resistant polyester exterior powder coat finish (white) □</li> <li>• 304 grade brushed stainless steel</li> <li>• 316 grade brushed stainless steel ▲</li> </ul> <p>□ other colours available on request  ▲ suitable for corrosive environments (details available on request)</p>



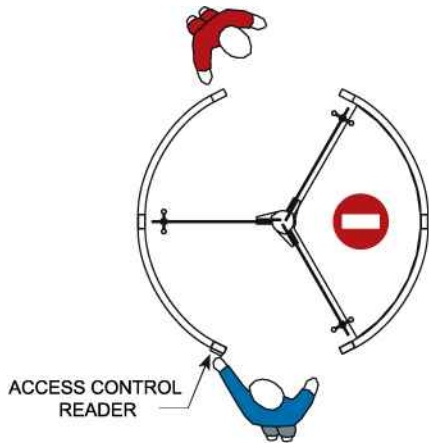
**TRITON CURVED SINGLE DIMENSIONS: Inches (mm)**



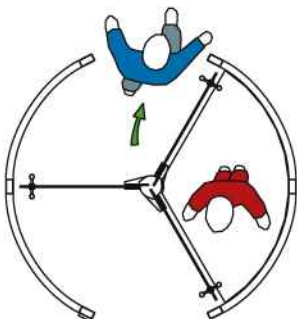
\* 70.86" (1800) wide unit also available

**PRESSURE MAT OPERATION**

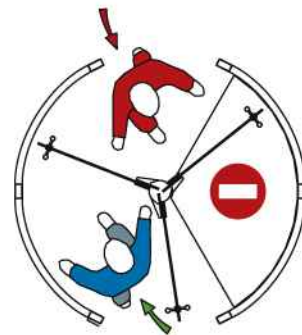
STEP 1: Access control reader is triggered to allow authorized access in the desired direction



STEP 3: Unauthorized pedestrian becomes trapped inside the locked turnstile



STEP 2: Turnstile unlocks allowing rotation in the authorized direction. An unauthorized pedestrian may enter the turnstile at this point.



STEP 4: Building security is alerted and a push button / remote control is used to unhook the turnstile and allow reverse rotation out of the turnstile

